

MX² 80 Dehumidifier



Product description

The MX² 80 combines traditional Munters strengths like efficiency and robustness with modern state of the art technology like modulating RH control and communication.

Low energy consumption and reliability are important in today's processes. Our modern control system together with high efficient fans which meet the EU Ecodesign directive, supported with frequency converters give you numerous options to optimise your energy consumption. The Energy Recovery Purge (ERP) or Energy Efficiency Purge (EEP) is available as a standard option in order to save energy.

The MX² 80 is equipped with a number of alarm functions to ensure total control of the dehumidification process. Frame casing and outer panels are made of corrosion resistant AluZink and coated in RAL 7035.

The MX² 80 dehumidifier covers a wide range of needs by providing a variety of standard functions. The numerous options will allow pre- and post-treatment by simply adding mechanical and electrical components.

The MX² 80 can be supplied with 3 different reactivation alternatives - electrical, steam and gas. A service indicator activates when a preventative service is due, this is a standard feature. To make installation easier the process fan inlet has been designed to allow for different outlet positions.

The electrical equipment conforms to EN 60204 (IEC204). The MX² series of dehumidifiers conform to both harmonised European standards and technical specifications for CE marking.

Munters Rotor Technology

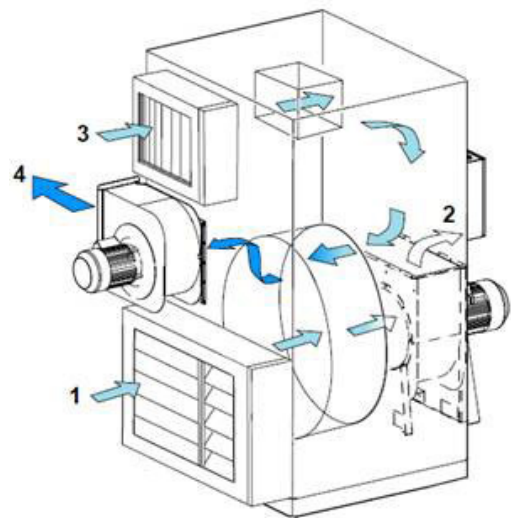
Munters desiccant rotors are highly effective moisture-absorbing substances. An option for the MX² series rotor technology is the ERP or EEP solution reducing the energy consumption.

PRODUCT INFORMATION

MX² 80

Features

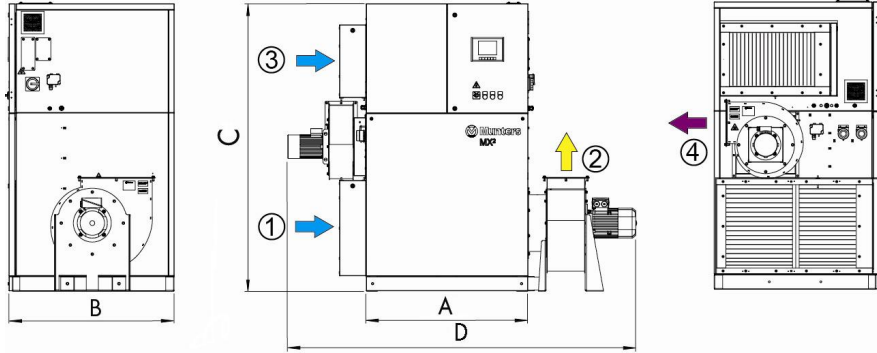
- Efficient dehumidification between -20°C and 40°C
- Modulating humidity control including wet air temp sensor
- Communication and external control options
- Filter and rotor stop alarm as standard
- Energy saving options
- Service and running indicator alarm as external indicators



1. Process air
2. Dry air
3. Reactivation air
4. Wet air

Model MX² 80

Diagram measurements are for reference only.



Height (C)	Dry air	Wet air	Weight	Width (A/D)	Depth (B)
2214mm	273x500mm	231x450mm	729kg	1068/2489mm	1307mm

Technical Specification

Steam consumption with ERP 5 Bar (g) 37.4

Process Air

Rated airflow (m ³ /h)	8000
Maximum static pressure (Pa)	300
Fan power (kW)	7.5

Reactivation air

Rated airflow (m ³ /h)	2520
Fan Power (kW)	2.2
Static Pressure at rated airflow (m ³ /h)	300

Miscellaneous Data

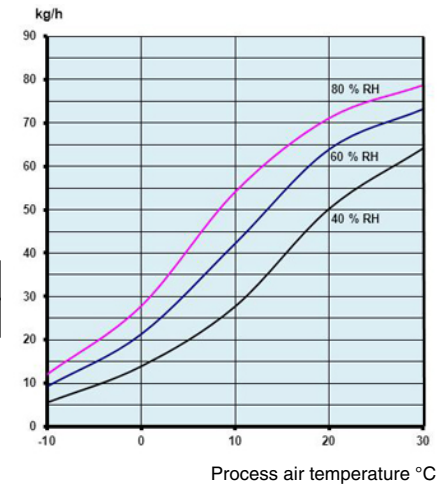
Operating temperature (°C)	-20-+40
Sound power level to room Lw(A) dB, all inlets and outlets ducted	90
IEC protective class (unit)	33
IEC protective class (electrical panel)	54
Filter class	G4
Motor winding insulation	F

Total power, voltage and current (amps/phase)

Total power (kW) Electrical	94.2
Total power (kW) Steam/Gas	10.2
380V 3-50 Hz (A) Electrical	148
380V 3-50 Hz (A) Steam/Gas	20
400V 3-50 Hz (A) Electrical	141
400V 3-50 Hz (A) Steam/Gas	19
415V 3-50 Hz (A) Electrical	135
415V 3-50 Hz (A) Steam/Gas	18
440V 3-60 Hz (A) Electrical	128
440V 3-60 Hz (A) Steam/Gas	17
Max steam working pressure (bar) (g)	7
Gas consumption (m ³ /h)	8.27
Natural gas pressure (mbar)	18-49
Max sulphur content (ppm) HPS Rotor	30
Steam consumption 3 bar (g/s)	39.4
Steam consumption 5 bar (g/s)	40.3
Total power with ERP,Electrical (kW)	88.2
Steam consumption with ERP 3 bar (g)	36.6
Gas consumption with ERP (m ³ /h)	7.68
Moisture removal 20°C, 60% (kg/24hr)	1550

Dehumidification Capacity

Approximate capacity in kg/h at different inlet process air relative humidity % RH



Options

- Bypass
- Communication via Modbus, BACnet or Lon
- Dewpoint sensor
- Energy Efficiency Purge (EEP)
- Energy Recovery Purge (ERP)
- External controls
- Filters M5, G4 or G4/F7 combination
- Heaters-gas,electric or steam
- Pre-react heaters - heat water or steam
- Insulated process air inlet
- Mirror handed
- Stainless steel casing
- Touch screen display

AUSTRALIA
Tel +61 2 8843 1588
CHINA
Tel +86 10 804 18000
INDIA
Tel +91 20 668 18 900
NETHERLANDS
Tel +31 172 43 32 31
SWEDEN
Tel +46 8-626 6300
UNITED KINGDOM
Tel +44 1480 432 243

AUSTRIA
Tel +43 1 6164298-0
DENMARK
Tel +45 4495 3355
ITALY
Tel +39 0183 521377
POLAND
Tel +48 58 305 35 17
SWITZERLAND
Tel +41 52 3438886
UNITED STATES
Tel +1 978 241 1100

BELGIUM
Tel +32 2 240 68 68
FINLAND
Tel +358 20 776 8230
JAPAN
Tel +81 3 5970 0021
SINGAPORE
Tel +65 6744 6828
THAILAND
Tel +66 2 642 2670-3
VIETNAM
Tel +84 8 825 6838

BRAZIL
Tel +55 41 3317 5050
FRANCE
Tel +33 1 3411 5757
KOREA
Tel +82 2 761 8701
SOUTH AFRICA
Tel +27 11 997 2000
TURKEY
Tel +90 262 751 3750

CANADA
Tel +1 905 8585894
GERMANY
Tel +49 40-879690-0
MEXICO
Tel +1 52 722 270-4029
SPAIN
Tel +34 91 640 09 02
UNIT. ARAB EMIRATES
Tel +971 4 8809295

www.munters.com

