

MX² 30 Dehumidifier



Product description

The MX² 30 combines traditional Munters strengths like efficiency and robustness with modern state of the art technology like modulating RH control and communication.

Low energy consumption and reliability are important in today's processes. Our modern control system together with high efficient fans which, meet the EU Ecodesign directive, supported with frequency converters give you numerous options to optimise your energy consumption. The Energy Recovery Purge (ERP) or Energy Efficiency Purge (EEP) is available as a standard option in order to save energy.

The MX² 30 is equipped with a number of alarm functions to ensure total control of the dehumidification process. Frame casing and outer panels are made of corrosion resistant AluZink and coated in RAL 7035.

The MX² 30 dehumidifier covers a wide range of needs by providing a variety of standard functions. The numerous options will allow pre- and post-treatment by simply adding mechanical and electrical components.

The MX² 30 can be supplied with 3 different reactivation alternatives - electrical, steam and gas. A service indicator activates when a preventative service is due, this is a standard feature. To make installation easier the process fan inlet has been designed to allow for different outlet positions.

The electrical equipment conforms to EN 60204 (IEC204). The MX² series of dehumidifiers conform to both harmonised European standards and technical specifications for CE marking.

Munters Rotor Technology

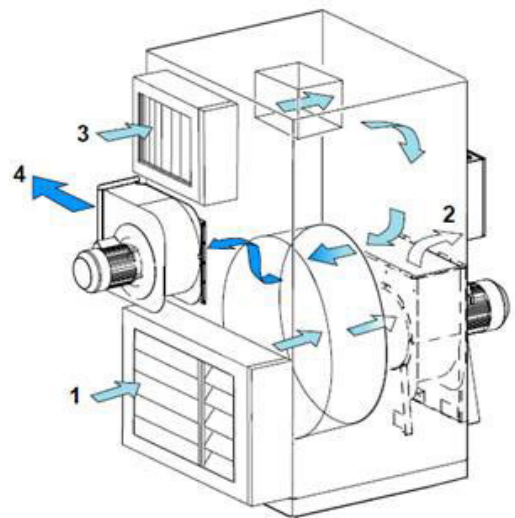
Munters desiccant rotors are highly effective moisture-absorbing substances. An option for the MX² series rotor technology is the ERP or EEP solution reducing the energy consumption.

PRODUCT INFORMATION

MX² 30

Features

- Efficient dehumidification between -20°C and 40°C
- Modulating humidity control including wet air temp sensor
- Communication and external control options
- Filter and rotor stop alarm as standard
- Energy saving options
- Service and running indicator alarm as external indicators



1. Process air
2. Dry air
3. Reactivation air
4. Wet air

Model MX² 30

Diagram measurements are for reference only.

Height (C)	Dry air	Wet air	Weight	Width (A/D)	Depth (B)
1872mm	220x400mm	110x222mm	407kg	800/1896mm	810mm

Technical Specification

Process Air

Rated airflow (m ³ /h)	2700
Available static pressure (Pa)	300
Fan power (kW)	2.2

Reactivation air

Rated airflow (m ³ /h)	900
Fan Power (kW)	0.75
Static Pressure at rated airflow (m ³ /h)	300

Total power, voltage and current (amps/phase)

Total power (kW) Electrical	33.4
Total power (kW) Steam/Gas	3.4
380V 3-50 Hz (A) Electrical	53
380V 3-50 Hz (A) Steam/Gas	7
400V 3-50 Hz (A) Electrical	50
400V 3-50 Hz (A) Steam/Gas	7
415V 3-50 Hz (A) Electrical	48
415V 3-50 Hz (A) Steam/Gas	7
440V 3-60 Hz (A) Electrical	46
440V 3-60 Hz (A) Steam/Gas	6
Max steam working pressure (bar) (g)	7
Gas consumption (m ³ /h)	2.95
Natural gas pressure (mbar)	18-49
Max sulphur content (ppm) HPS Rotor	30
Steam consumption 3 bar (g/s)	14.1
Steam consumption 5 bar (g/s)	14.4
Total power with ERP,Electrical (kW)	28.4
Steam consumption with ERP 3 bar (g)	11.7
Gas consumption with ERP (m ³ /h)	2.46
Moisture removal 20°C, 60% (kg/24hr)	535

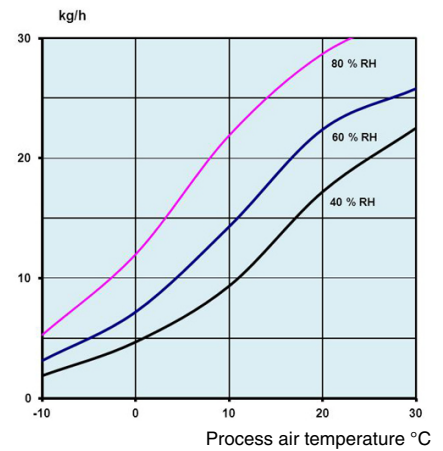
Steam consumption with ERP 5 Bar (g) 12.0

Miscellaneous Data

Operating temperature (°C)	-20-+40
Sound power level to room Lw(A) dB, all inlets and outlets ducted	82
IEC protective class (unit)	33
IEC protective class (electrical panel)	54
Filter class	G3
Motor winding insulation	F

Dehumidification Capacity

Approximate capacity in kg/h at different inlet process air relative humidity % RH



Options

- Bypass
- Communication via Modbus, BACnet or Lon
- Dewpoint sensor
- Energy Efficiency Purge (EEP)
- Energy Recovery Purge (ERP)
- External controls
- Filters M5, G4 or G4/F7 combination
- Heaters-gas,electric or steam
- Pre-react heaters - heat water or steam
- Insulated process air inlet
- Mirror handed
- Stainless steel casing
- Touch screen display

AUSTRALIA

Tel +61 2 8843 1588

CHINA

Tel +86 10 804 18000

INDIA

Tel +91 20 668 18 900

NETHERLANDS

Tel +31 172 43 32 31

SWEDEN

Tel +46 8-626 6300

UNITED KINGDOM

Tel +44 1480 432 243

AUSTRIA

Tel +43 1 6164298-0

DENMARK

Tel +45 4495 3355

ITALY

Tel +39 0183 521377

POLAND

Tel +48 58 305 35 17

SWITZERLAND

Tel +41 52 3438886

UNITED STATES

Tel +1 978 241 1100

BELGIUM

Tel +32 2 240 68 68

FINLAND

Tel +358 20 776 8230

JAPAN

Tel +81 3 5970 0021

SINGAPORE

Tel +65 6744 6828

THAILAND

Tel +66 2 642 2670-3

VIETNAM

Tel +84 8 825 6838

BRAZIL

Tel +55 41 3317 5050

FRANCE

Tel +33 1 3411 5757

KOREA

Tel +82 2 761 8701

SOUTH AFRICA

Tel +27 11 997 2000

TURKEY

Tel +90 262 751 3750

CANADA

Tel +1 905 8585894

GERMANY

Tel +49 40-879690-0

MEXICO

Tel +1 52 722 270-4029

SPAIN

Tel +34 91 640 09 02

UNIT. ARAB EMIRATES

Tel +971 4 8809295

www.munters.com

